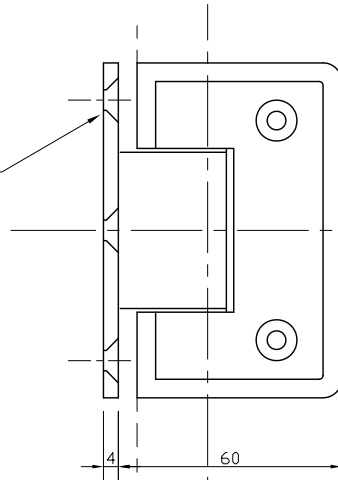


**REAR VIEW
ON HINGE**

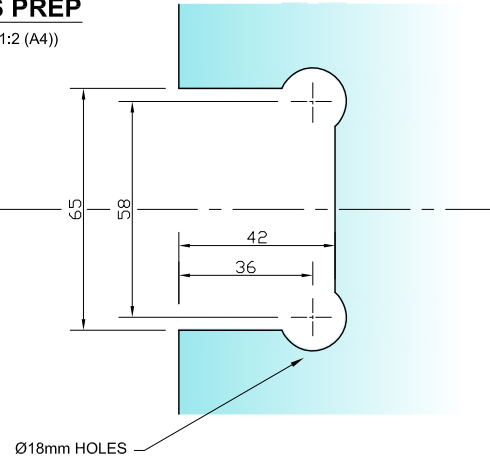
(SCALE 1:2 (A4))

3 No. Ø5.5 HOLES
CSK TO SUIT
No. 10 SCREWS.



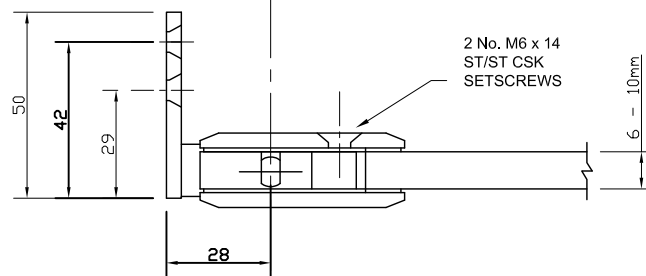
**REQUIRED
GLASS PREP**

(SCALE 1:2 (A4))



**PLAN VIEW
ON HINGE**

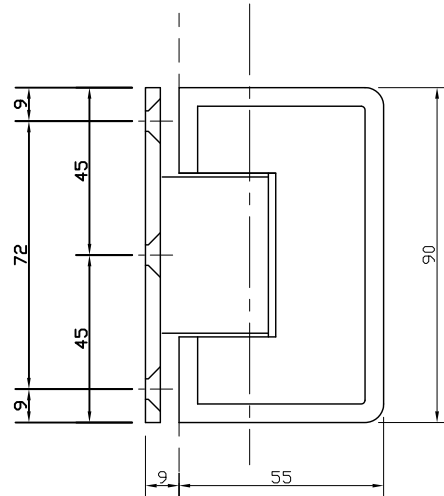
(SCALE 1:2 (A4))



2 No. M6 x 14
ST/ST CSK
SETSCREWS

**FRONT VIEW
ON HINGE**

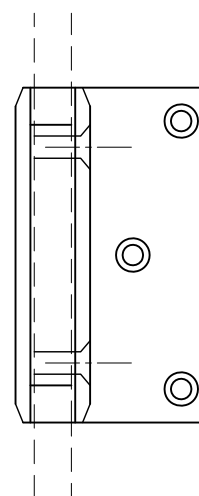
(SCALE 1:2 (A4))



(9mm GLASS REDUCTION REQ.)

**SIDE VIEW
ON HINGE**

(SCALE 1:2 (A4))



THE GLASS WAREHOUSE

51-55 Fowler Road
Hainault Business Park
Ilford Essex IG6 3XE
T: 020 8500 1188 F: 020 8500 1010
www.expresstoughening.com

NOTES/SPECIFICATION:

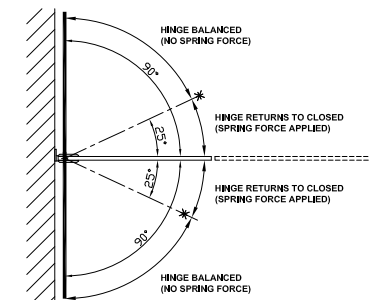
ALL HINGE COMPONENTS IN CHROME PLATED BRASS.

PRODUCT SUITABLE FOR 6 TO 10mm TOUGHENED GLASS PANES.

HINGE SUPPLIED COMPLETE WITH:-

- 1) 2 No. x 1.7mm TRANSLUCENT RUBBER GLAZING WASHERS.
- 2) 2 No. x 1.1mm TRANSLUCENT RUBBER GLAZING WASHERS
- 3) 2 No. M6 x 14mm ST/ST HEX SOCKET HEAD CSK SETSCREWS WITH CHROME CAPS
- 4) 1 No. HEX SOCKET ALLEN KEY TO SUIT
- 5) 3 No. 10 x 40mm POSI DRIVE SCREWS AND PLASTIC PLUGS

(NOTE CUSTOMER TO PROVIDE ALTERNATIVE FIXINGS WHERE REQUIRED)



PRODUCT REF:	SH/APH/H01
DESCRIPTION:	DIMENSIONED ELEVATIONS AND REQUIRED GLASS PREP DETAIL * *
DRAWING REF:	SH/APH/H01 - 001B