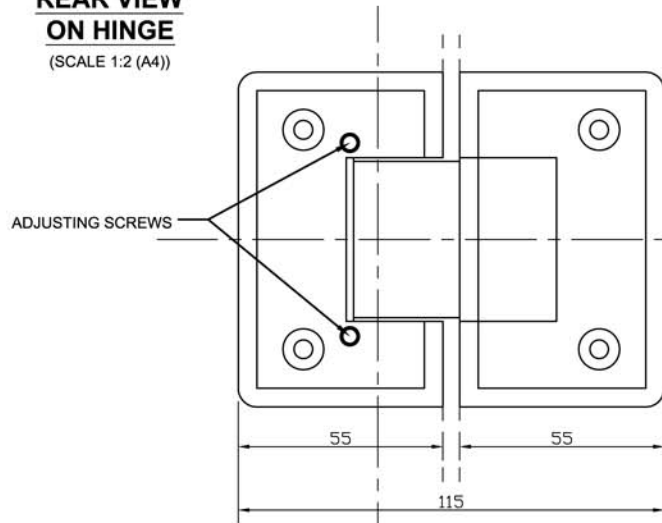


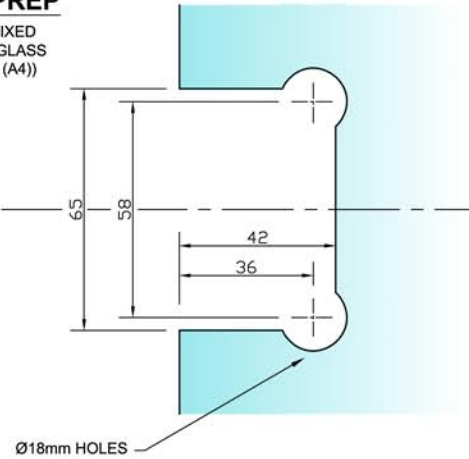
**REAR VIEW
ON HINGE**

(SCALE 1:2 (A4))



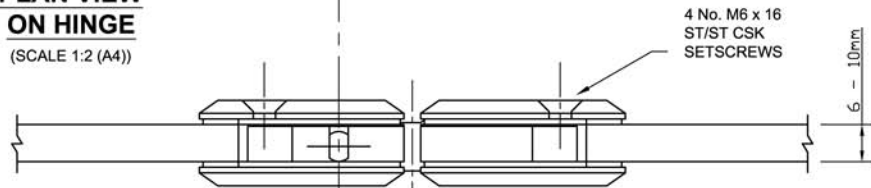
**REQUIRED
GLASS PREP**

TO BOTH FIXED
AND DOOR GLASS
(SCALE 1:2 (A4))



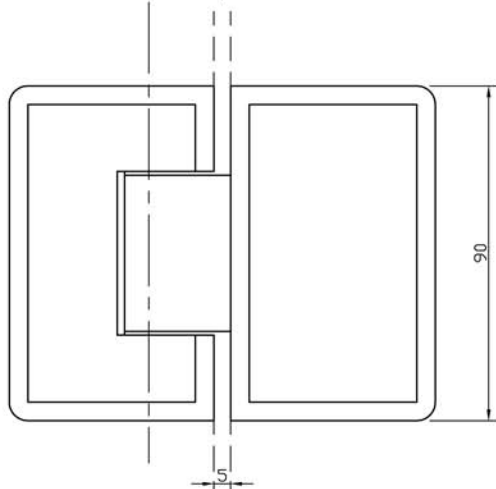
**PLAN VIEW
ON HINGE**

(SCALE 1:2 (A4))



**FRONT VIEW
ON HINGE**

(SCALE 1:2 (A4))



(5mm GLASS TO GLASS REDUCTION REQ.)



THE GLASS WAREHOUSE

51-55 Fowler Road
Hainault Business Park
Ilford Essex IG6 3XE
T: 020 8500 1188 F: 020 8500 1010
www.expresstoughening.com

NOTES/SPECIFICATION:

ALL HINGE COMPONENTS IN CHROME PLATED BRASS.

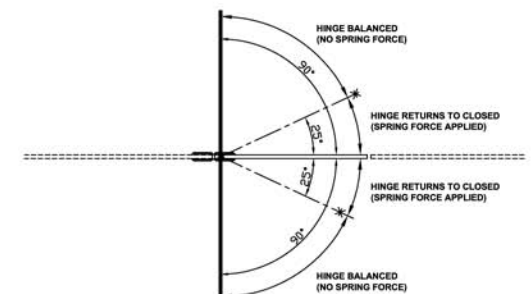
PRODUCT SUITABLE FOR 6 TO 10mm TOUGHENED GLASS PANES.

HINGE SUPPLIED COMPLETE WITH:-

- 1) 4 No. x 1.7mm TRANSLUCENT RUBBER GLAZING WASHERS.
- 2) 4 No. x 1.1mm TRANSLUCENT RUBBER GLAZING WASHERS
- 3) 4 No. M6 x 16mm ST/ST HEX SOCKET HEAD CSK SETSCREWS
- 4) 1 No. HEX SOCKET ALLEN KEY TO SUIT

ADJUSTABLE CENTRE POINT TO ALIGN WITH JAMB PANEL.

(NOTE CUSTOMER TO PROVIDE ALTERNATIVE FIXINGS WHERE REQUIRED)



PRODUCT REF: SH/APH/H02_AD

DESCRIPTION: DIMENSIONED ELEVATIONS AND
REQUIRED GLASS PREP DETAIL

DRAWING REF: SH/APH/H02_AD - 001