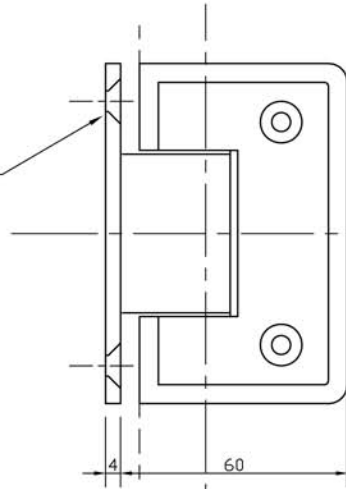


**REAR VIEW  
ON HINGE**

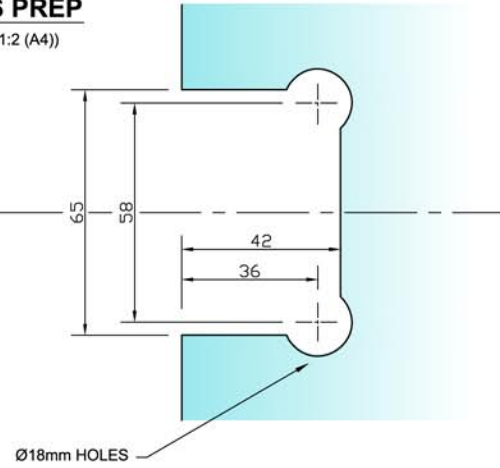
(SCALE 1:2 (A4))

4 No. Ø5.5 HOLES  
CSK TO SUIT  
No. 10 SCREWS.



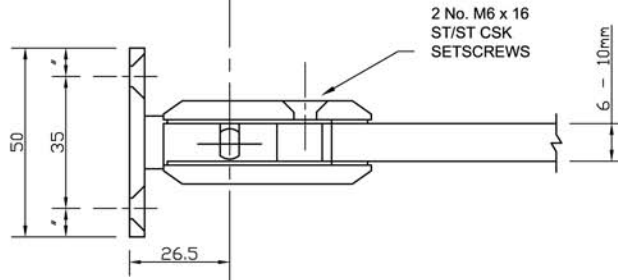
**REQUIRED  
GLASS PREP**

(SCALE 1:2 (A4))



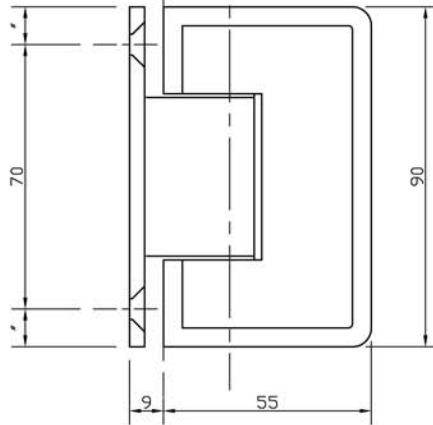
**PLAN VIEW  
ON HINGE**

(SCALE 1:2 (A4))



**FRONT VIEW  
ON HINGE**

(SCALE 1:2 (A4))



(9mm GLASS REDUCTION REQ.)



**THE GLASS WAREHOUSE**

51-55 Fowler Road  
Hainault Business Park  
Ilford Essex IG6 3XE  
T: 020 8500 1188 F: 020 8500 1010  
www.expresstoughening.com

**NOTES/SPECIFICATION:**

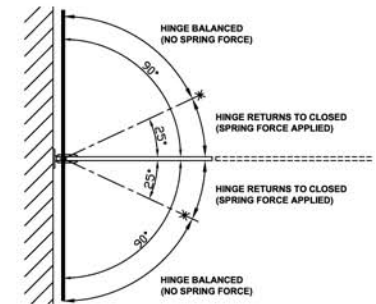
ALL HINGE COMPONENTS IN CHROME PLATED BRASS.

PRODUCT SUITABLE FOR 6 TO 10mm TOUGHENED GLASS PANES.

HINGE SUPPLIED COMPLETE WITH:-

- 1) 2 No. x 1.7mm TRANSLUCENT RUBBER GLAZING WASHERS.
- 2) 2 No. x 1.1mm TRANSLUCENT RUBBER GLAZING WASHERS
- 3) 2 No. M6 x 16mm ST/ST HEX SOCKET HEAD CSK SETSCREWS
- 4) 1 No. HEX SOCKET ALLEN KEY TO SUIT
- 5) 4 No. 10 x 40mm POSI DRIVE SCREWS AND PLASTIC PLUGS

(NOTE CUSTOMER TO PROVIDE ALTERNATIVE FIXINGS WHERE REQUIRED)



<b>PRODUCT REF:</b>	<b>SH/APH/H03</b>
<b>DESCRIPTION:</b>	DIMENSIONED ELEVATIONS AND REQUIRED GLASS PREP DETAIL
<b>DRAWING REF:</b>	<b>SH/APH/H03 - 001</b>