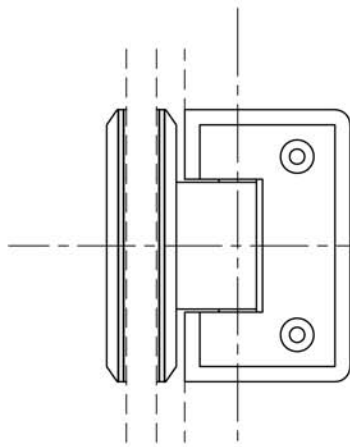


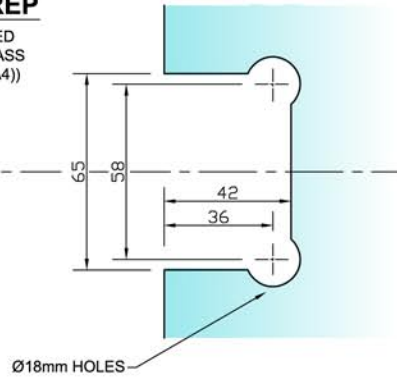
**REAR VIEW
ON HINGE**

(SCALE 1:2.5 (A4))



**REQUIRED
GLASS PREP**

TO BOTH FIXED
AND DOOR GLASS
(SCALE 1:2.5 (A4))

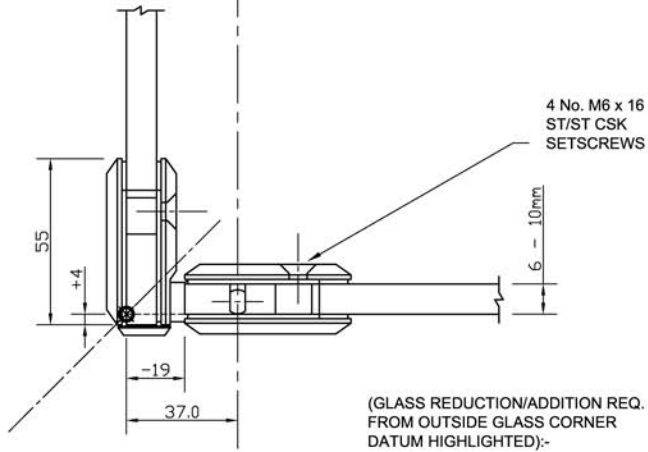


THE GLASS WAREHOUSE

51-55 Fowler Road
Hainault Business Park
Ilford Essex IG6 3XE
T: 020 8500 1188 F: 020 8500 1010
www.expresstoughening.com

**PLAN VIEW
ON HINGE**

(SCALE 1:2.5 (A4))

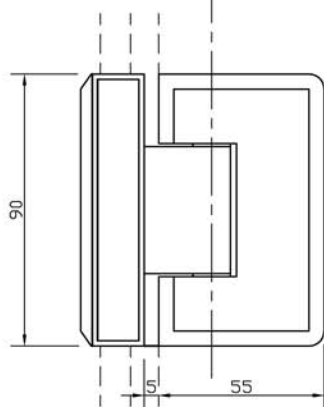


(GLASS REDUCTION/ADDITION REQ.
FROM OUTSIDE GLASS CORNER
DATUM HIGHLIGHTED):-

+ 4mm (FIXED GLASS SIDE)
- 19mm (DOOR GLASS SIDE)

**FRONT VIEW
ON HINGE**

(SCALE 1:2.5 (A4))



NOTES/SPECIFICATION:

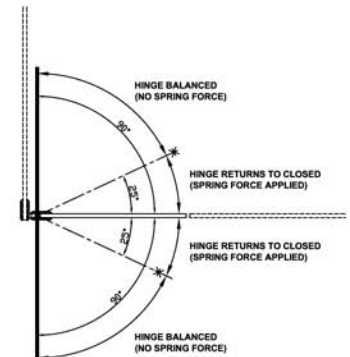
ALL HINGE COMPONENTS IN CHROME PLATED BRASS.

PRODUCT SUITABLE FOR 6 TO 10mm TOUGHENED GLASS PANES.

HINGE SUPPLIED COMPLETE WITH:-

- 1) 8 No. x 1.25mm TRANSLUCENT RUBBER GLAZING WASHERS.
- 2) 4 No. M6 x 16mm ST/ST HEX SOCKET HEAD CSK SETSCREWS
- 3) 1 No. HEX SOCKET ALLEN KEY TO SUIT

(NOTE CUSTOMER TO PROVIDE ALTERNATIVE FIXINGS WHERE REQUIRED)



PRODUCT REF:	SH/APH/H09
DESCRIPTION:	DIMENSIONED ELEVATIONS AND REQUIRED GLASS PREP DETAIL • •
DRAWING REF:	SH/APH/H09 - 001