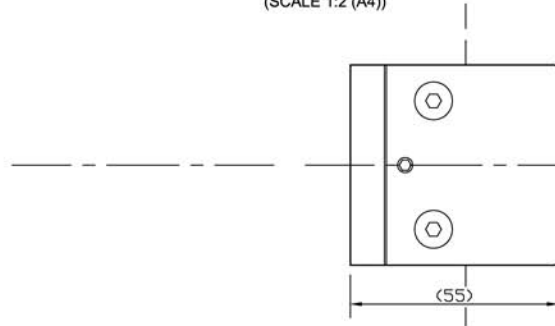


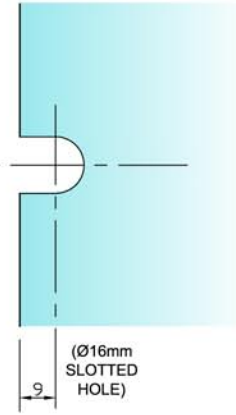
**BACK VIEW
ON FITTING**

(SCALE 1:2 (A4))



**REQUIRED
GLASS PREP**

WITH SECURITY PIN
OPTION ONLY!
(SCALE 1:2 (A4))

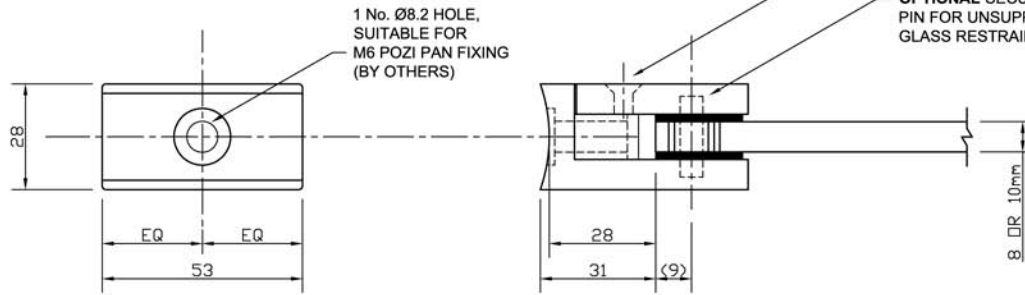


**REAR VIEW
ON FITTING**

(SCALE 1:2 (A4))

**PLAN VIEW
ON FITTING**

(SCALE 1:2 (A4))



NOTES/SPECIFICATION:

ALL FITTING COMPONENTS IN GRADE 304 STAINLESS STEEL
(SEE BELOW FOR FINISH OPTIONS)

PRODUCT SUITABLE FOR 8 OR 10mm TOUGHENED GLASS PANES

FITTING SUPPLIED COMPLETE WITH:-

- 1) 4 No. BLACK RUBBER WASHERS TO SUITE SPECIFIED GLASS
- 2) 2 No. M5 X 20mm HEX SOCKET HEAD CSK SETSCREWS

NOTE - INTERFACE M6 POZI PAN FIXINGS TO BE SUPPLIED BY OTHERS TO SUIT APPLICATION.

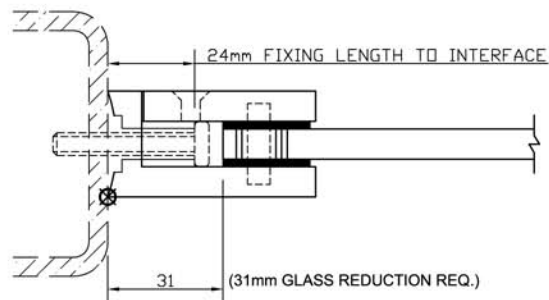
SPECIFICATION INSTRUCTIONS:-

FINISH REQUIREMENT

- B = SATIN/BRUSHED FINISH
- P = POLISHED FINISH

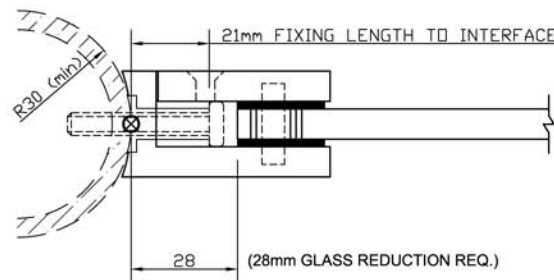
**EXAMPLE USE
FLAT FACE FIXED**

(SCALE 1:2 (A4))



**EXAMPLE USE
ON CURVED POSTS**

(SCALE 1:2 (A4))



PRODUCT REF:	SH / ATB / * / S
DESCRIPTION:	DIMENSIONED ELEVATIONS AND REQUIRED GLASS PREP DETAIL
DRAWING REF:	SH/ATB/X/S - 001B